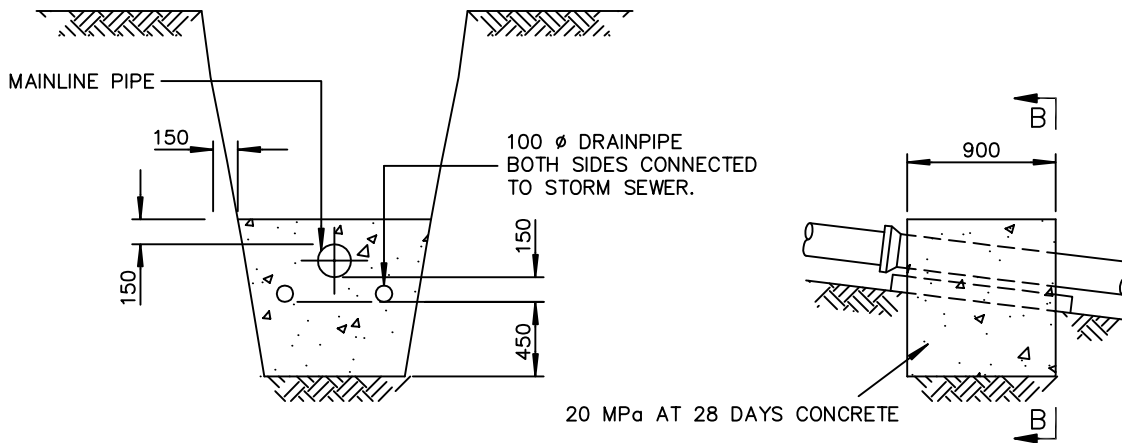


SECTION A-A

ALTERNATIVE 1

FOR USE IN TILLS AND OTHER STABLE,
WELL COMPACTED NATIVE MATERIALS.



SECTION B-B

ALTERNATIVE 2

FOR USE IN CLEAN GRAVELS, SANDS AND
OTHER LOOSE, PERMEABLE NATIVE MATERIALS.

NOTES:

1. IF APPROVED BY THE ENGINEER, IN AREAS INACCESSIBLE BY CONSTRUCTION EQUIPMENT, WET, PRE-MIXED CONCRETE FILLED SANDBAGS MAY BE USED.
2. REFER TO SECTION 3.7 FOR TRENCH DAM SPACING.
3. PROVIDE TRENCH DRAINAGE TO AN ACCEPTABLE WATERCOURSE OR STORM COLLECTION SYSTEM FROM EVERY TRENCH DAM.

DIMENSIONS ARE IN MILLIMETRES UNLESS OTHERWISE NOTED



TOWN OF LADYSMITH
ENGINEERING STANDARD

TRENCH DAMS

DATE: FEB. 1994

APP. BY:

DRAWING No.

T4

REV.

00