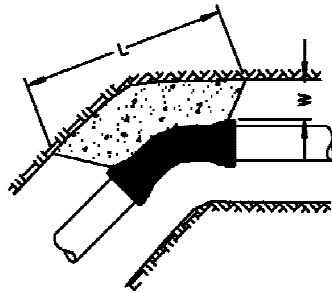
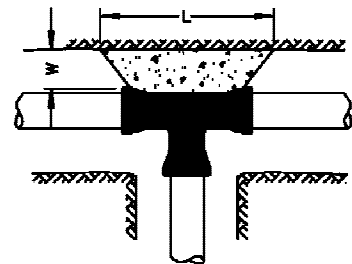


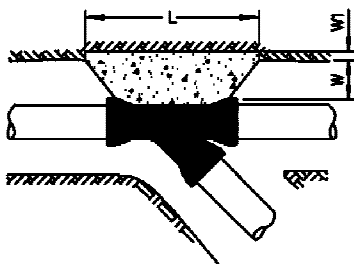
HORIZONTAL 90° BEND



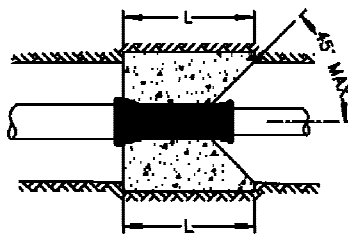
HORIZONTAL 45° BEND



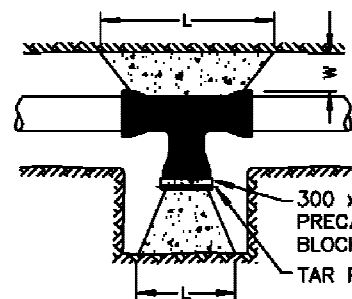
TEE



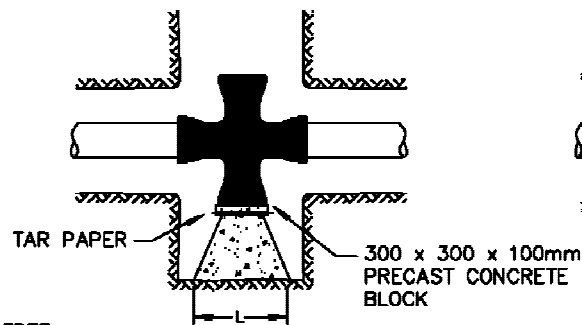
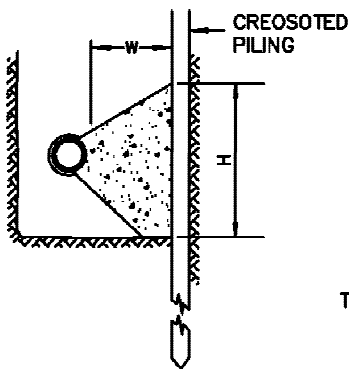
WYE



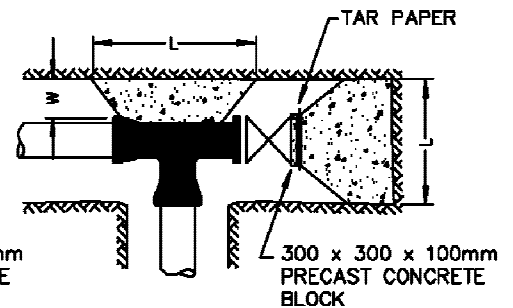
REDUCER



TEE WITH PLUG



CROSS WITH PLUG



TEE WITH VALVE

NOTE:  
WHERE GROUND CANNOT BE EXCAVATED TO FREE  
STANDING UNDISTURBED SOIL SMALL PLANK SHEET  
PILING SHALL BE DRIVEN TO PROVIDE UNDISTURBED  
THRUST AREA. PILING TO BE DRIVEN PRIOR TO  
EXCAVATING FOR THRUST BLOCK. PILING SHOULD BE  
USED ONLY BELOW THE PERMANENT WATER TABLE.

- CONCRETE TO HAVE A 28 DAY COMPRESSIVE STRENGTH OF 20 MPa
- SEE DRAWING W4A FOR DIMENSION VALUES L,W,H & W<sub>r</sub>

DIMENSIONS ARE IN MILLIMETRES UNLESS OTHERWISE NOTED



TOWN OF LADYSMITH  
ENGINEERING STANDARD

THRUST BLOCKING DETAILS

DATE: FEB. 1994

APP. BY:

DRAWING No.  
W4

REV.  
00