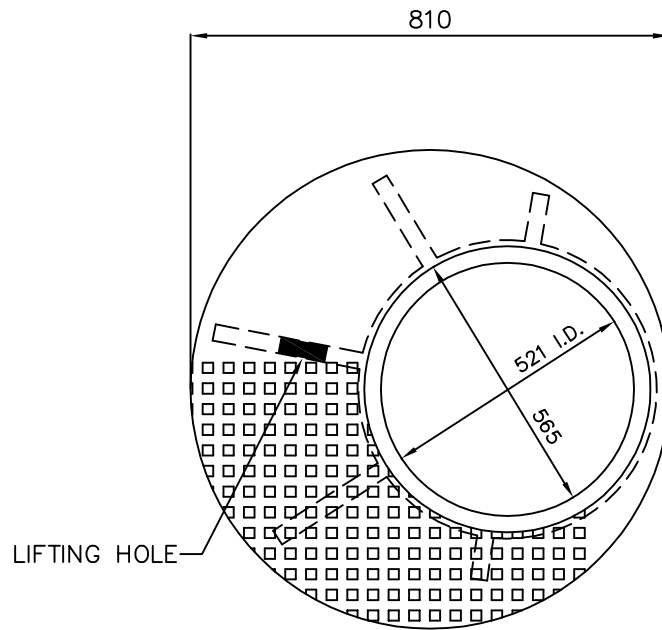
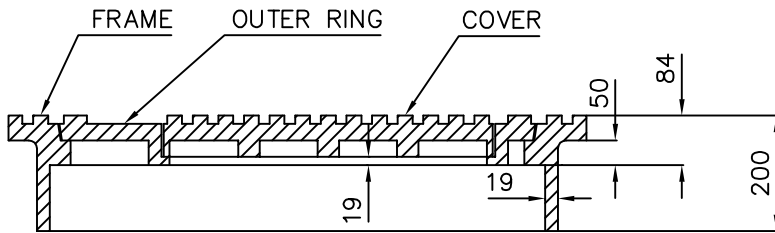


PLAN OF FRAME



PLAN OF OUTER COVER



SECTION OF FRAME, RING  
AND COVER

NOTES:

1. THIS MANHOLE FRAME AND COVER IS TO BE USED FOR ACCESS TO UNDERGROUND UTILITY CHAMBERS INCLUDING PUMP STATIONS AND PRV'S WHERE A LARGER ACCESS DIAMETER IS REQUIRED.
2. ALL CASTINGS SHALL BE CERTIFIED TO MEET CS 600 LOADING REQUIREMENTS.
3. FOR COVER LETTERING AND BOLTING REQUIREMENTS REFER TO STANDARD W5 (HEAVY DUTY COVER).
4. ONLY PRODUCTS APPROVED BY THE TOWN ENGINEER WILL BE ACCEPTED FOR INSTALLATION

DIMENSIONS ARE IN MILLIMETRES UNLESS OTHERWISE NOTED



TOWN OF LADYSMITH  
ENGINEERING STANDARD

UTILITY CHAMBER MANHOLE  
FRAME, RING & COVER

DATE: FEB. 1994

APP. BY:

DRAWING No.  
W5A

REV.  
00