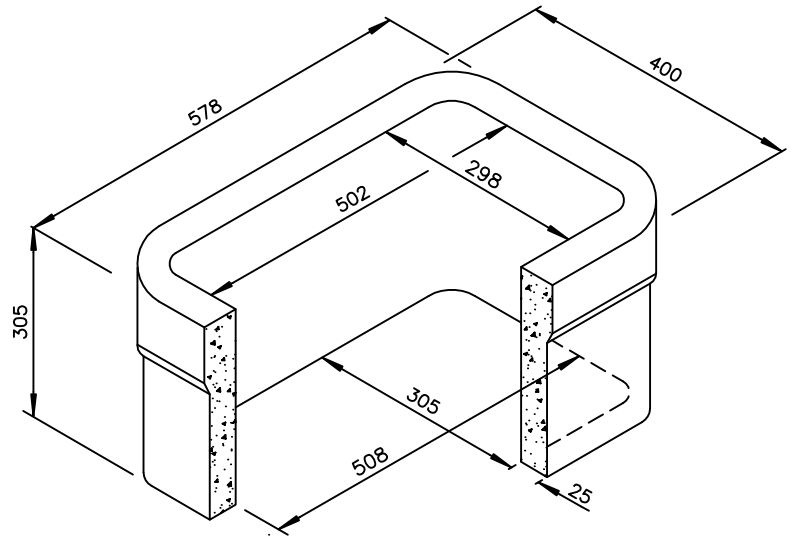
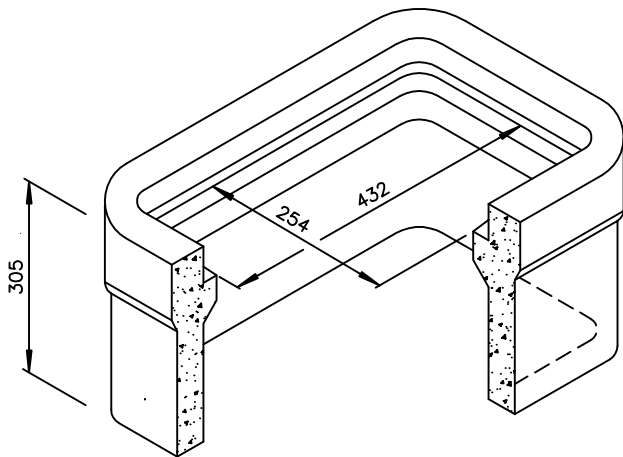


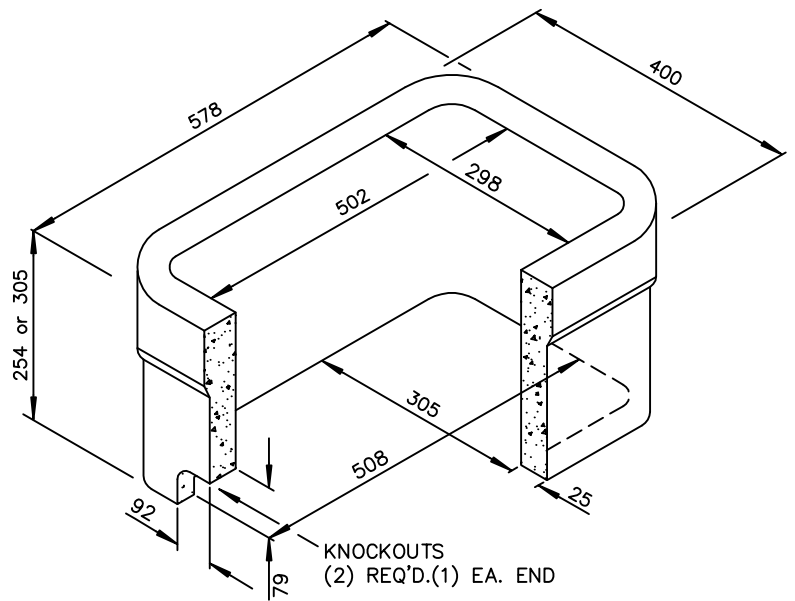
CAST IRON TRAFFIC COVER
MARKED WATER METER



EXTENSION



TOP



BOTTOM

NOTES

1. ONLY PRODUCTS APPROVED BY THE TOWN ENGINEER WILL BE ACCEPTED FOR INSTALLATION

DIMENSIONS ARE IN MILLIMETRES UNLESS OTHERWISE NOTED



TOWN OF LADYSMITH
ENGINEERING STANDARD

CONCRETE METER BOX
FOR 19mm \varnothing SERVICES

DATE: FEB. 1994

APP. BY:

DRAWING No.

W11

REV.

00