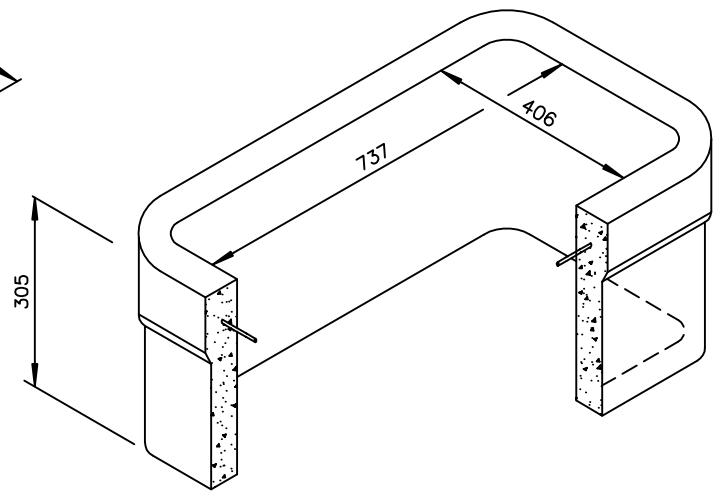
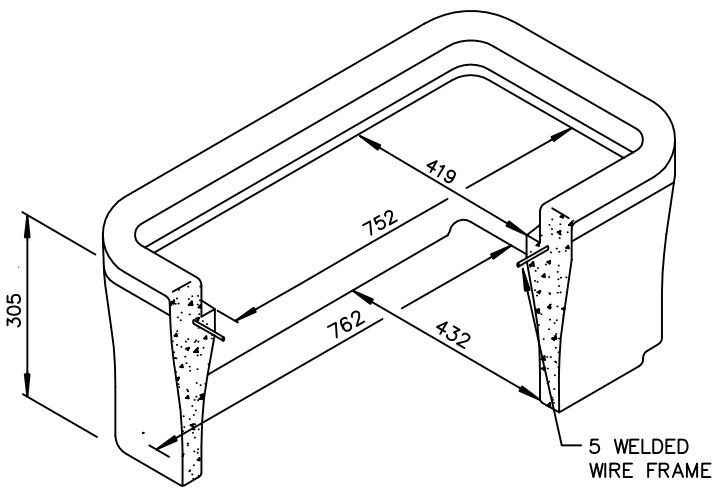


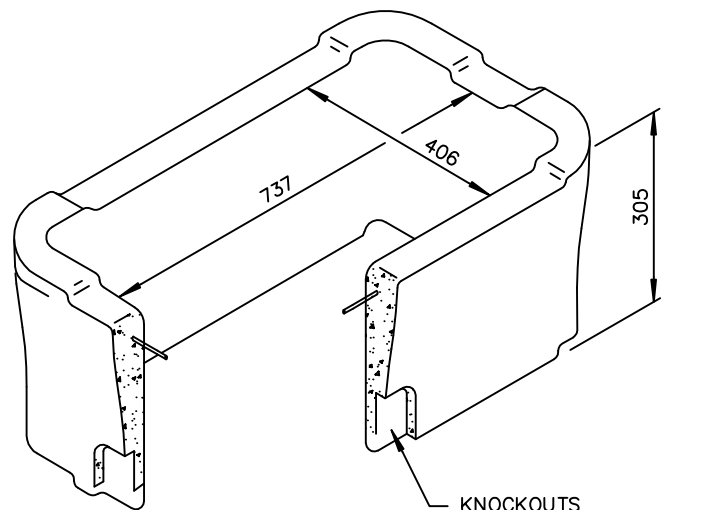
CI OR STEEL TRAFFIC COVER
MARKED SEWER



EXTENSION



TOP



BOTTOM

NOTES

1. ONLY PRODUCTS APPROVED BY THE TOWN ENGINEER
WILL BE ACCEPTED FOR INSTALLATION

DIMENSIONS ARE IN MILLIMETRES UNLESS OTHERWISE NOTED



TOWN OF LADYSMITH
ENGINEERING STANDARD

TWIN SERVICE
CONCRETE BOX

DATE: FEB. 1994

APP. BY:

DRAWING No.

D8

REV.

00