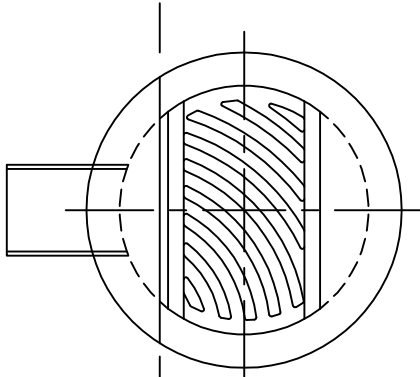
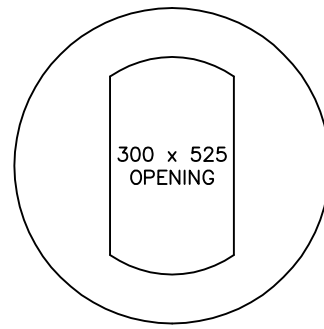


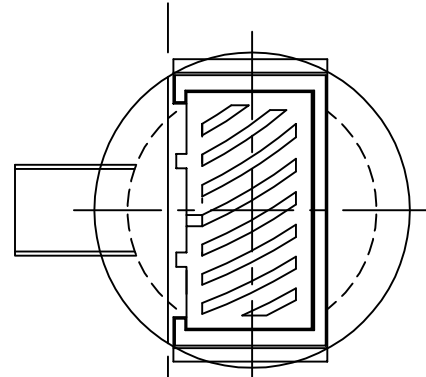
CS600 REINFORCED
CONCRETE CATCH BASIN LID



CURB FACE

FLOW

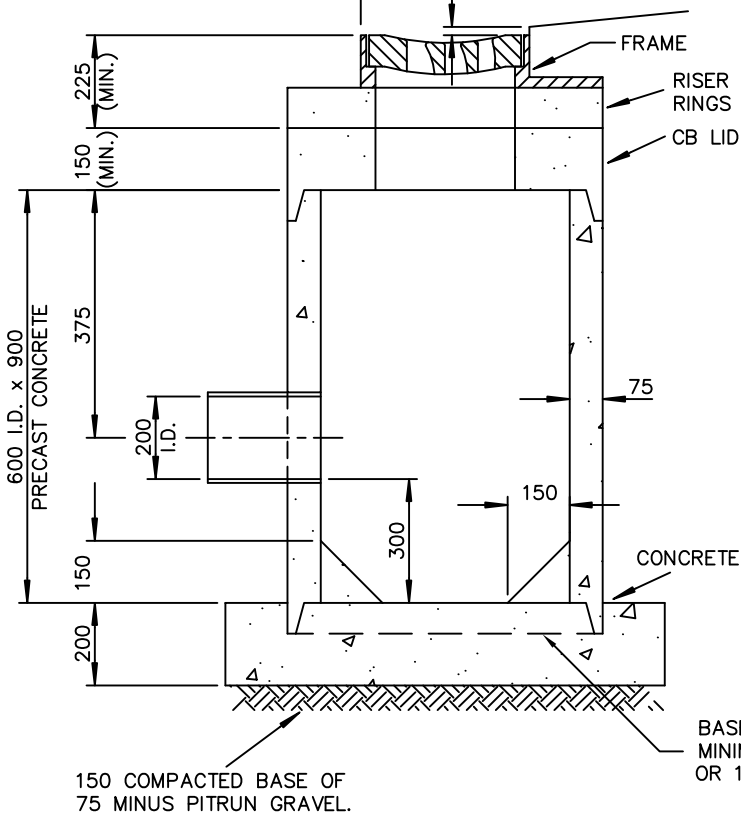
TYPE 1



CURB FACE

FLOW

TYPE 2



NOTES:

1. FOR GRATE AND FRAME DETAILS SEE STD. DWG. No. D12
2. MAX. 3, MIN. 1 COURSE OF BRICK OR PRECAST CONCRETE RISER RINGS LAID IN PORTLAND CEMENT MORTAR.
3. PRECAST CONCRETE LID REINFORCEMENT TO CS600 LOADING.
4. ALL JOINTS TO BR PRE-WETTED BEFORE MORTAR IS PLACED.
5. THE GRATING TO BE PLACED 20mm BELOW FINISHED PAVING IF CURB AND GUTTER IS TO BE CONSTRUCTED, CATCH BASIN CASTINGS ARE TO BE LEFT LOOSE UNTIL AFTER THE CURBING OPERATION HAS BEEN COMPLETED.
6. BASE OF GRANULAR MATERIAL, COMPACTED TO 95% MODIFIED PROCTOR.
7. MORTAR SHALL COMPLY TO A.S.T.M. C-270-68 OR LATEST REVISION.
8. PRECAST REINFORCED CONCRETE SECTIONS SHALL COMFORM TO A.S.T.M. C-478.
9. PRECAST REINFORCED RISER RINGS SHALL COMFORM TO A.S.T.M. C-478.
10. ONLY PRODUCTS APPROVED BY THE ENGINEER WILL BE ACCEPTED FOR INSTALLATION

DIMENSIONS ARE IN MILLIMETRES UNLESS OTHERWISE NOTED



TOWN OF LADYSMITH
ENGINEERING STANDARD

TYPICAL CATCH BASIN
WITH TYPE 1 AND TYPE 2 GRATES

DATE: JAN. 1999

APP. BY:

DRAWING No.

D11

REV.

01