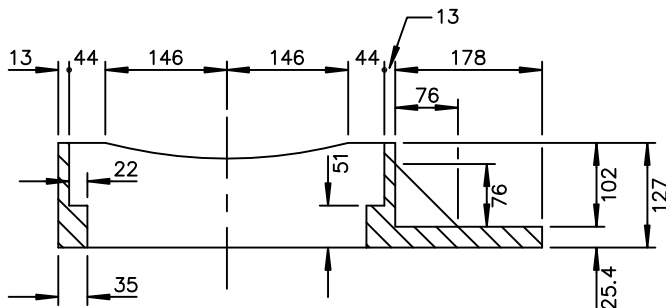
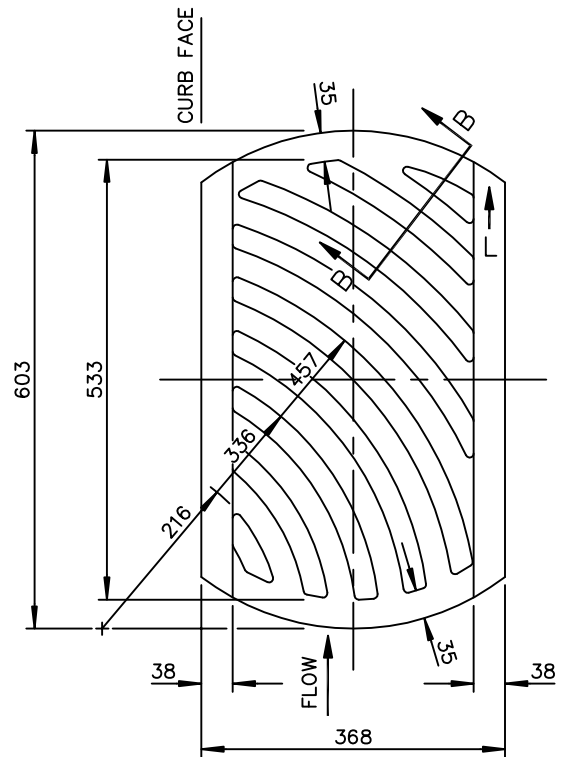


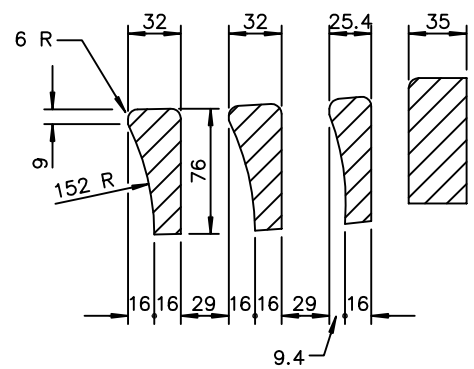
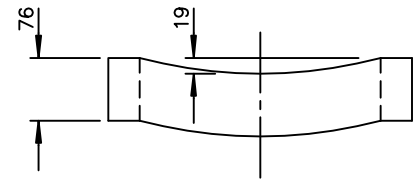
FRAME



SECTION A-A



GRATE



SECTION B-B

NOTES:

1. ALL CASTING SHALL BE CERTIFIED TO MEET CS600 LOADING REQUIREMENTS
2. APPROXIMATE WEIGHT OF CASTINGS
FRAME = 59 kg
GRATE = 61 kg
3. ONLY PRODUCTS APPROVED BY THE ENGINEER WILL BE ACCEPTED FOR INSTALLATION
4. LEFT OR RIGHT HAND GRATINGS TO BE USED AS APPROPRIATE TO FACE CURB

DIMENSIONS ARE IN MILLIMETRES UNLESS OTHERWISE NOTED



TOWN OF LADYSMITH
ENGINEERING STANDARD

CATCH BASIN FRAME AND GRATE
TYPE 1

DATE: FEB. 1994

APP. BY:

DRAWING No.

D12

REV.

00