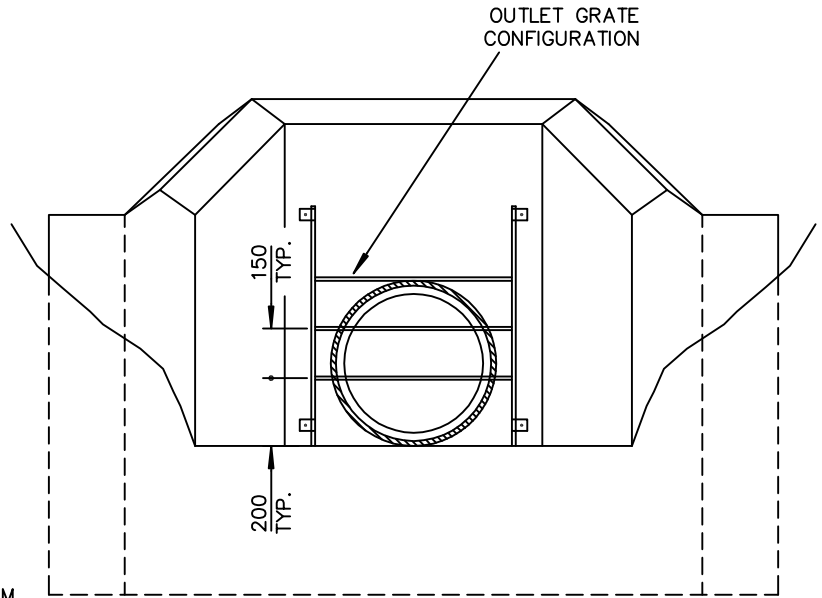
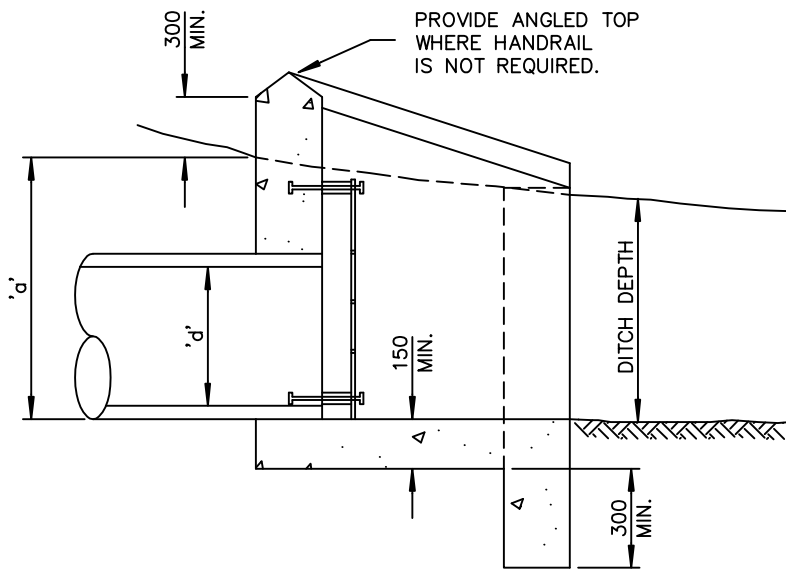


PLAN VIEW



FRONT VIEW



SECTION A-A

NOTES:

1. THIS DRAWING IS TO BE USED AS A GUIDE ONLY. THE DETAILED DESIGN SHALL CONSIDER EXISTING SITE AND SOIL CONDITIONS.
2. DELETE BAR GRILL FOR OUTLET STRUCTURES ON PIPES LESS THAN 300mm ϕ .
3. WHERE APPROVED CONCRETE FILLED CONCRETE BLOCK MAY BE USED IN PLACE OF CONCRETE.
4. APPROVED HANDRAIL REQUIRED WHERE 'a' EXCEEDS 1.2m. (AS PER STD DWG C7)
5. MAXIMUM PIPE SIZE 600mm ϕ .
6. STEEL BAR GRILL TO BE 20M BARS WELDED TOGETHER.
7. ALL METAL TO BE HOT-DIP GALVANIZED.
8. MAXIMUM OUTLET VELOCITY 1.5 m/sec. WHERE DISCHARGE VELOCITY EXCEEDS 1.5m/sec APPROVED DOWNSTREAM EROSION PROTECTION AND ENGERY DISSIPATOR SHALL BE PROVIDED.
9. DESIGN TO INCLUDE STEEL REINFORCEMENT.
10. STEEL BAR GRILL TO BE HINGED AT TOP.
11. ONLY PRODUCTS APPROVED BY THE ENGINEER WILL BE ACCEPTED FOR INSTALLATION.

DIMENSIONS ARE IN MILLIMETRES UNLESS OTHERWISE NOTED



TOWN OF LADYSMITH
ENGINEERING STANDARD

TYPICAL CONCRETE HEADWALL
FOR PIPE OUTLETS

DATE: FEB. 1994

APP. BY:

DRAWING No.

D16

REV.

00