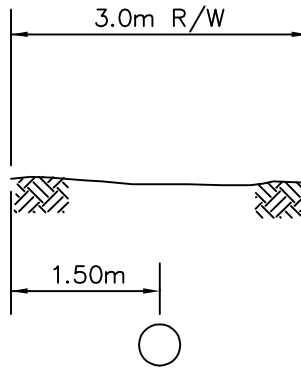
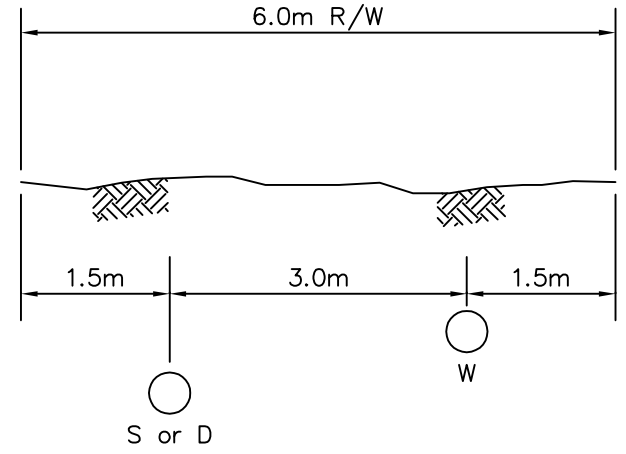
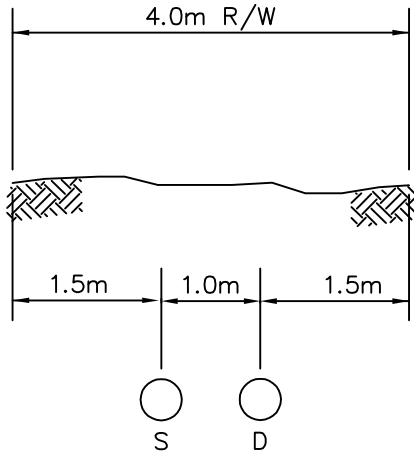


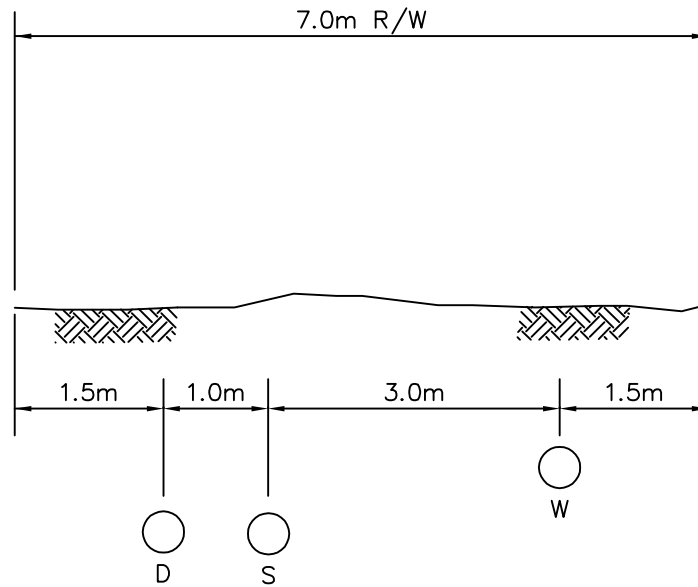
ONE MAIN



TWO MAINS
(TWO OPTIONS)



THREE MAINS



NOTE:
WIDER R/W's MAY BE REQUIRED IN SPECIAL CIRCUMSTANCES,
IE. WHERE MAIN LINE DEPTHS EXCEED 4.0m.



TOWN OF LADYSMITH
ENGINEERING STANDARD

STATUTORY RIGHT OF WAYS
FOR MUNICIPAL MAINS

DATE: MAY 2002

APP. BY:

DRAWING No.

R9

REV.

01