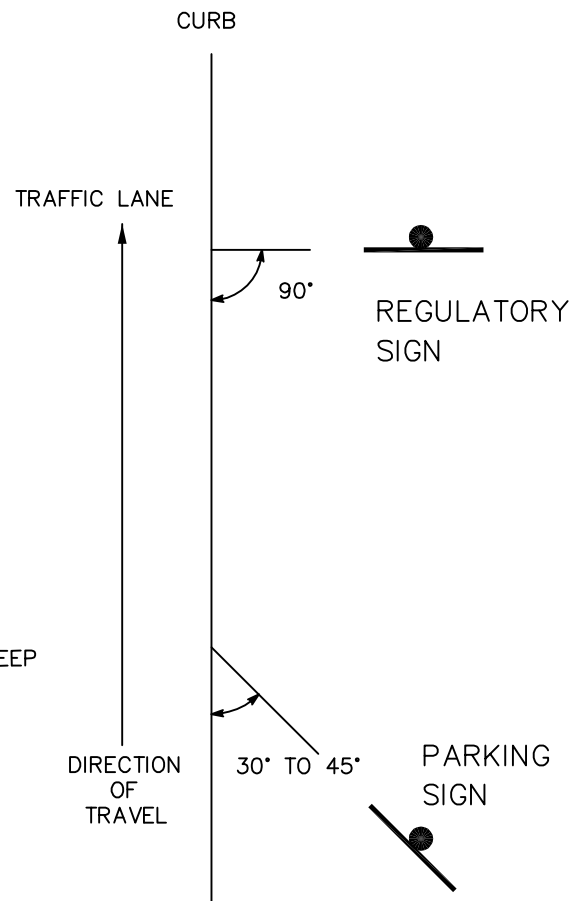
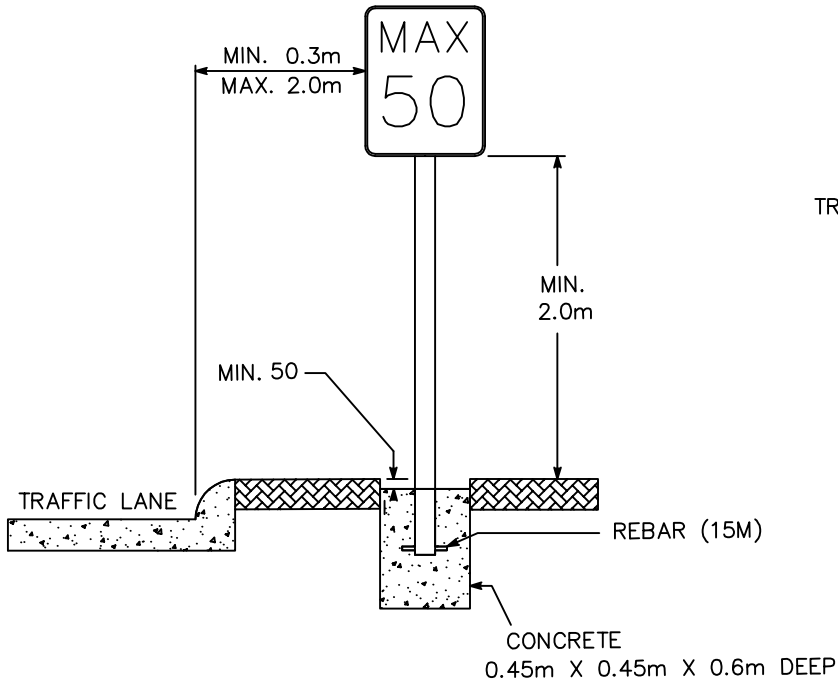
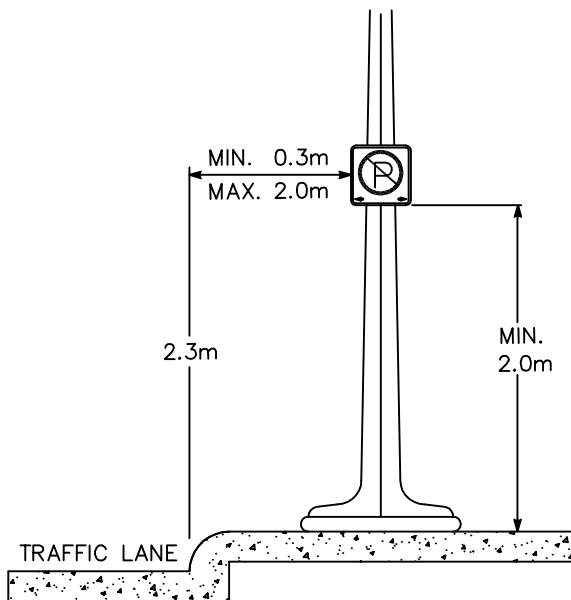


TYPICAL SIGN
INSTALLATION



PARKING
SIGN



METRIC CONVERSIONS:

- 2.0 m = 6' 7"
- 0.3 m = 1' 0"
- 0.6 m = 2' 0"
- 3.0 m = 10' 0"



TOWN OF LADYSMITH
ENGINEERING STANDARD

TYPICAL SIGN INSTALLATIONS

DATE: JAN. 1999

APP. BY:

DWG. FILE
R11

REV.
00