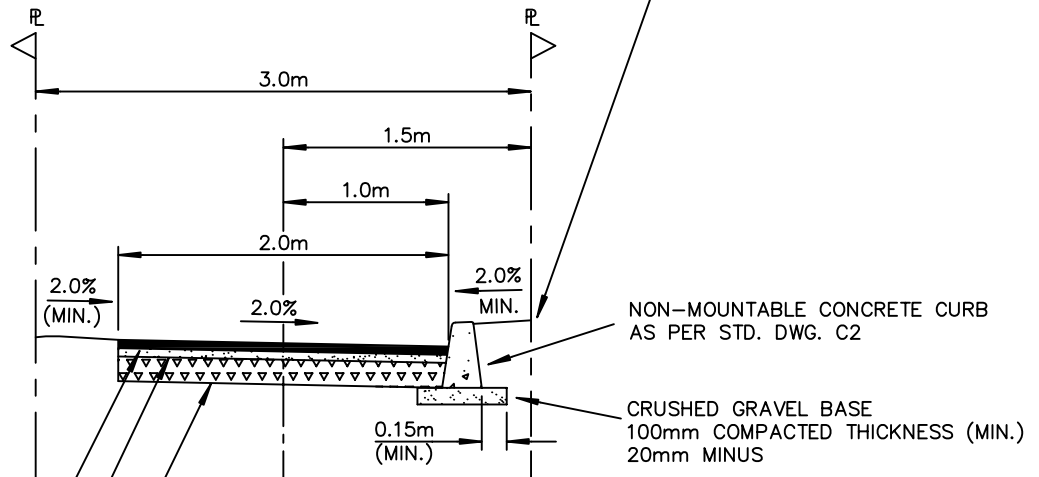


PROVIDE 100mm MIN. THICKNESS OF TOPSOIL TO EDGE OF RIGHT-OF-WAY AND SEED OR SOD. (TO BE GRADED EVENLY AND SLOPED TO SUIT THE SATISFACTION OF THE ENGINEER.)



ASPHALT PAVED SURFACE  
50mm COMPACTED THICKNESS (MIN.)

CRUSHED GRAVEL BASE  
50mm COMPACTED THICKNESS (MIN.)  
20mm MINUS

GRAVEL SUB BASE  
150mm COMPACTED THICKNESS (MIN.)  
75mm MINUS

NON-MOUNTABLE CONCRETE CURB  
AS PER STD. DWG. C2

CRUSHED GRAVEL BASE  
100mm COMPACTED THICKNESS (MIN.)  
20mm MINUS

NOTES:

1. ALTERNATIVE WALKWAY DESIGNS ARE SUBJECT TO ENGINEER'S APPROVAL
2. FENCING IS REQUIRED ALONG BOTH SIDES OF WALKWAY  
FENCING DESIGN AND LOCATION ARE SUBJECT TO ENGINEER'S APPROVAL

DIMENSIONS ARE IN MILLIMETRES UNLESS OTHERWISE NOTED



**TOWN OF LADYSMITH**  
ENGINEERING STANDARD

WALKWAY IN 3.0m RIGHT-OF-WAY

DATE: JAN. 1999

APP. BY:

DRAWING No.

C7

REV.

01